



INSTALLATION GUIDE



Watch on Youtube:



哔哩哔哩观看安装视频



Download Software
For LCD Display



LCD软件扫码下载

EN RU CN

SL-X3B0D19-V2

Component List



[EN]

- 1) LGA1700 Backplate
- 2) LGA1200/115X Backplate
- 3) LGA20XX/LGA1200/115X Bracket
- 4) LGA1700 Bracket
- 5) AM4/AM5 Bracket Long
- 6) AM4/AM5 Bracket Short
- 7) LGA1700 Standoff (Black)
- 8) LGA1200 Standoff (Grey)
- 9) AMD Standoff (Red)
- 10) Intel Rubber Standoff
- 11) AMD Tightening Screw
- 12) LGA20XX Standoff
- 13) Tightening Nut
- 14) Fan-Rad Screw
- 15) Radiator Screw
- 16) Thermal Grease

[RU]

- 1) Бэкплейт LGA1700
- 2) Бэкплейт LGA1200/115X
- 3) Бэкплейт LGA20XX/LGA1200/115X
- 4) Крепления LGA1700
- 5) Крепления AMD (длинные)
- 6) Крепления AMD (короткие)
- 7) Стопоры LGA1700 (Чёрный цвет)
- 8) Стопоры LGA1200 (Серый цвет)
- 9) Стопоры AMD (Красный цвет)
- 10) Резиновые стопоры для Intel бэкплейта
- 11) Затяжные болты AMD
- 12) Стопоры LGA20XX
- 13) Затяжная гайка
- 14) Болты для крепления вентиляторов к радиатору
- 15) Болты для крепления радиатора
- 16) Термопаста

[CN]

- 1) LGA1700
- 2) LGA1200/115X 背板
- 3) LGA20XX/LGA1200/115X 支架
- 4) LGA1700 支架
- 5) AMD 支架(长)
- 6) AMD 支架(短)
- 7) LGA1700 胶柱(黑色)
- 8) LGA1200/115X 胶柱(灰色)
- 9) AMD AM4/AM5 胶柱(红色)
- 10) 橡胶内柱
- 11) AMD 螺丝
- 12) LGA2011 螺栓
- 13) 紧固螺母
- 14) 风扇螺丝
- 15) 冷排螺丝
- 16) 导热膏

Choose Components for Sockets:

LGA1700: **1** **4** **7** **10** **13** **16**

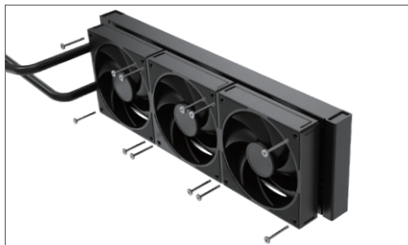
LGA1200/115X: **2** **3** **8** **10** **13** **16**

LGA20XX: **3** **12** **13** **16**

AMD AM4/AM5: **5** **9** **11** **16**

6

Fan & Radiator Mounting



Use the fan-rad mounting screws to secure the fan(s) onto the radiator.



Use the radiator mounting screws to secure the radiator to case panel.

How to choose the correct bracket



LGA1200/115X LGA20XX



LGA1700



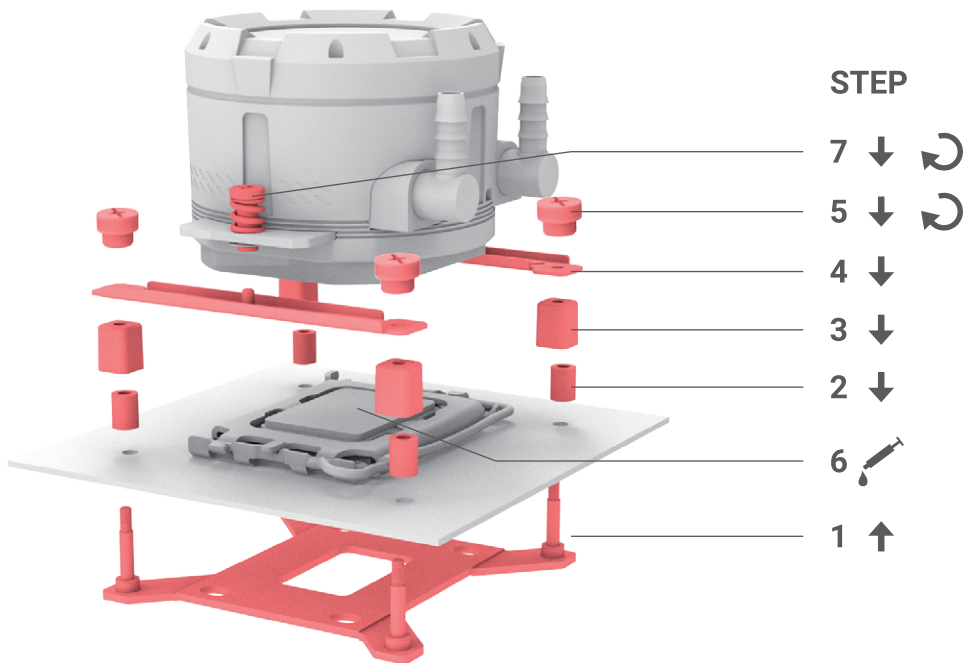
AM4 / AM5



AM4 / AM5



LGA1700/1200/115X

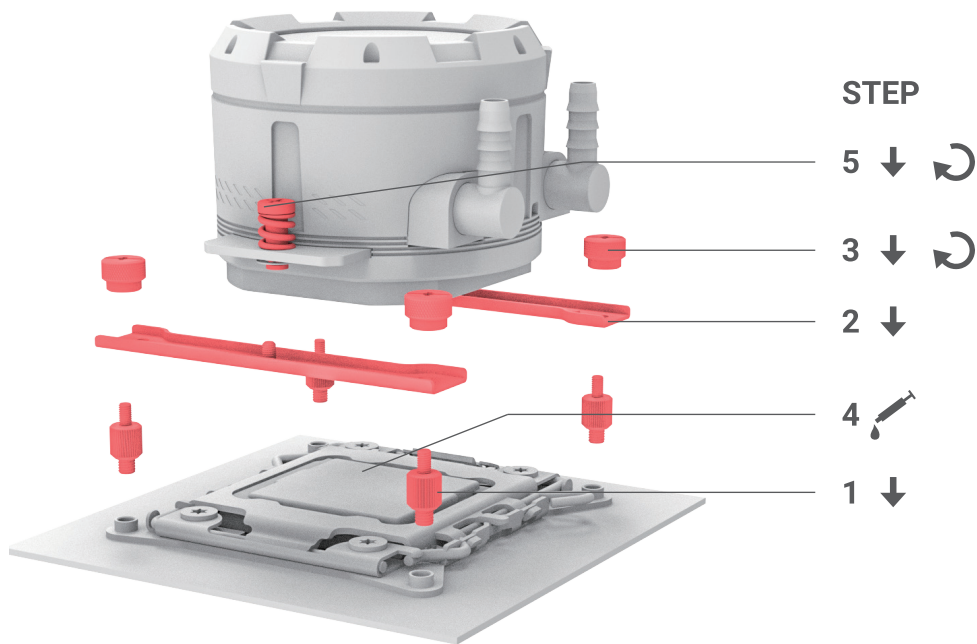


Component No.

LGA1700: 1 4 7 10 13 16

LGA1200/115X: 2 3 8 10 13 16

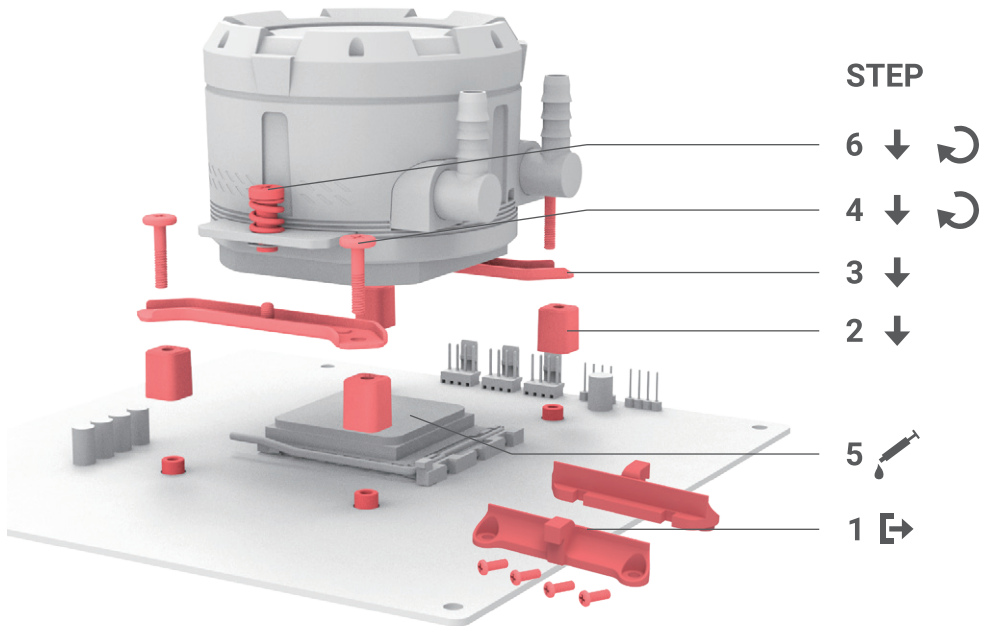
LGA20XX



Component No.

3 12 13 16

AMD AM5/AM4

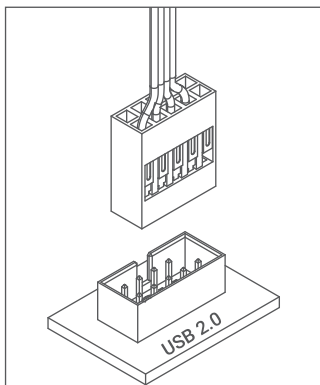


Component No.

5 9 11 16

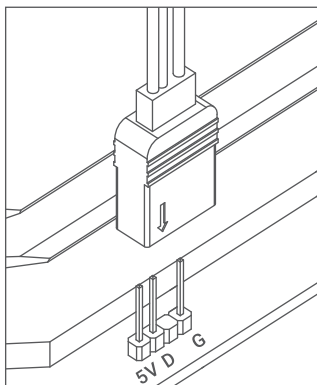
6

PUMP Connection



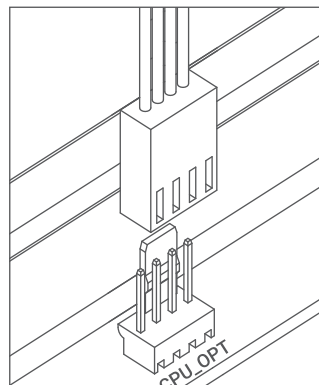
USB 2.0

Connect to motherboard
USB 2.0



ARGB 5V 3Pin

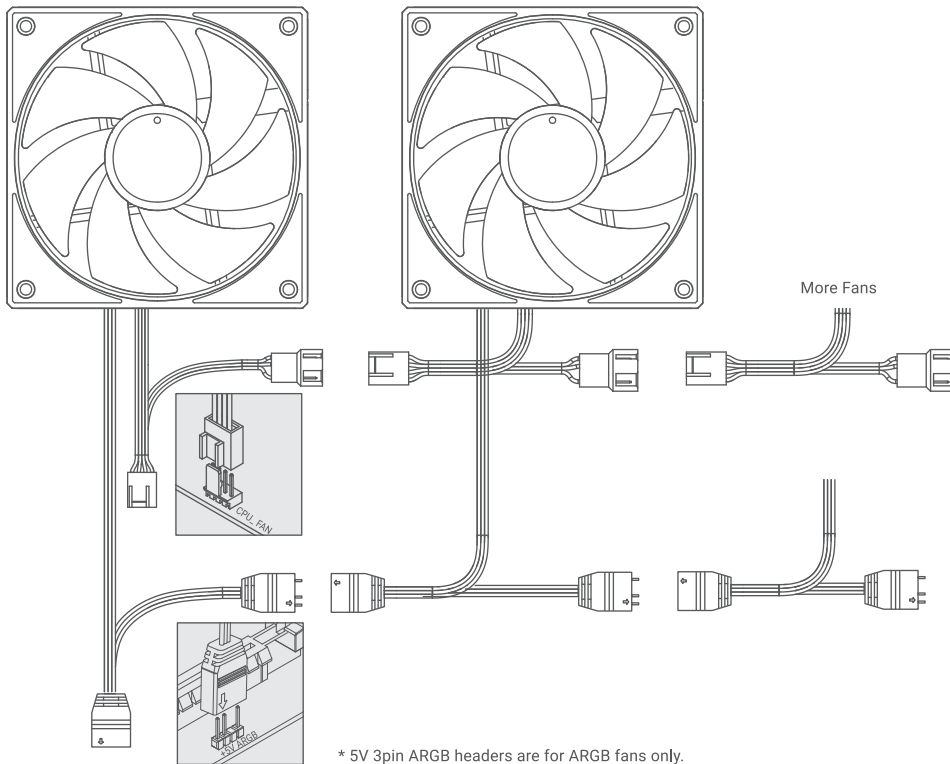
Connect to motherboard
ARGB sync



PUMP PWM 4Pin

Connect to motherboard
AIO/PUMP/CPU_OPT

Fan Connection



ASUS: ADD_HEADER



MSI: JRAINBOW



GIGABYTE: D_LED



ASROCK: ADDR_LED

Have Questions ?

- Please ask for professional help if you don't know how to install.
- Make sure you're working on a power-off PC.
- If you have any doubt about components list or product itself, please contact your original reseller/retailer/etailer.
- ID-COOLING is always ready to offer our support. You can find the contact information below.
- Descriptions are for your reference. Different models may vary in terms of components list.

SHENZHEN BUYEASY CO., LTD.
www.idcooling.com
support@idcooling.com



[idcoolingglobal](https://www.facebook.com/idcoolingglobal)



[youtube.com/c/idcooling](https://www.youtube.com/c/idcooling)



SPACE